

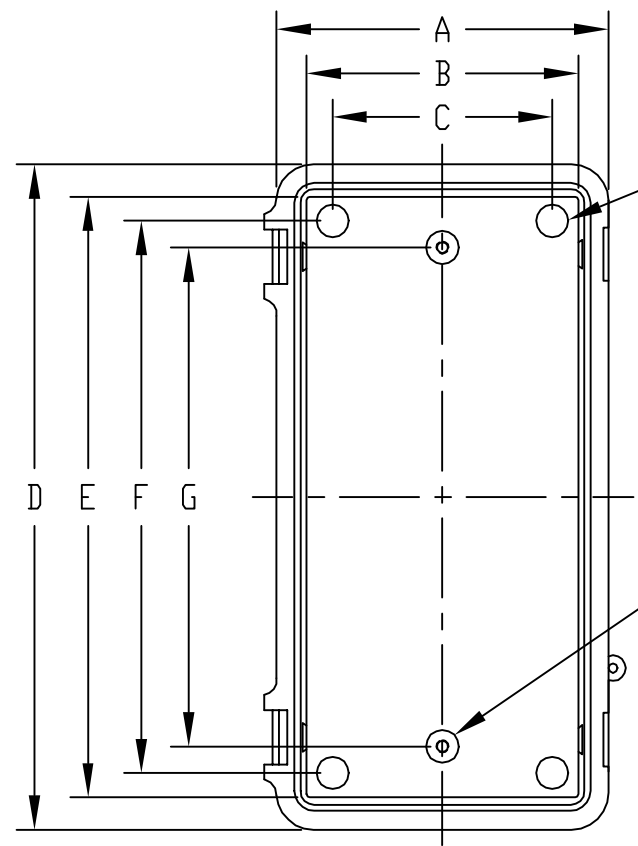
PART NAME	NON-METALLIC ENCLOSURE (STYLE B)	PART No.	NBB-10222 & NBB-10232 & NBB-22222	REV. DATE	6-26-07
-----------	----------------------------------	----------	-----------------------------------	-----------	---------

**MATERIAL:**  
UL LISTED INDOOR VERSION  
 SOLID BODY & COVER \_\_\_\_\_ ABS/PC BLENDED PLASTIC  
 UL94-5VB FLAMMABILITY RATING  
 CLEAR COVER \_\_\_\_\_ POLYCARBONATE PLASTIC  
 UL94V-0 FLAMMABILITY RATING  
 UV STABILIZED  
ABS VERSION  
 SOLID BODY & COVER \_\_\_\_\_ ABS  
 UL94-HB FLAMMABILITY RATING  
ALL VERSIONS  
 GASKET \_\_\_\_\_ MODIFIED POLYURETHANE

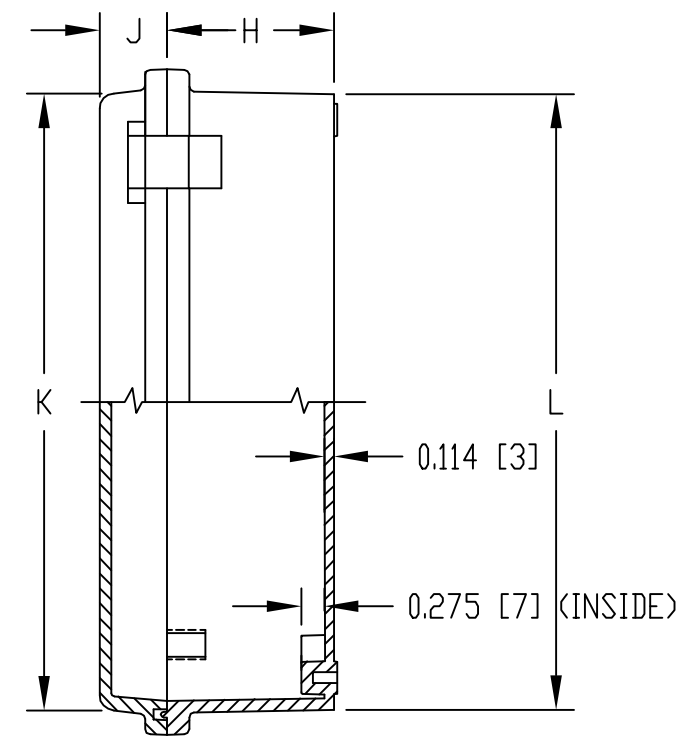
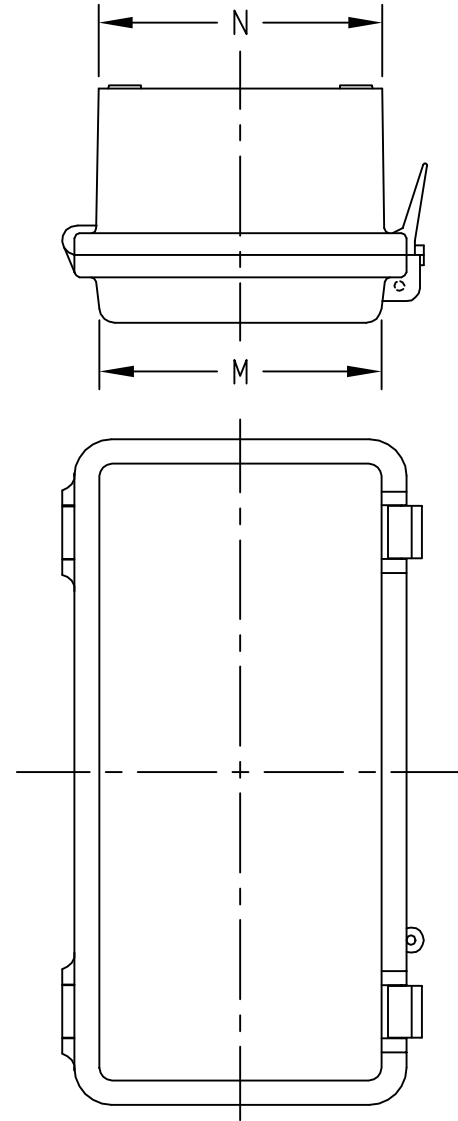
**FINISH:**  
 BODY \_\_\_\_\_ LIGHT GRAY  
 COVER \_\_\_\_\_ LIGHT GRAY OR CLEAR  
 LATCHES & HINGES \_\_\_\_\_ NON-METALLIC  
 WALL MOUNTING BRACKETS \_\_\_\_\_ STAINLESS STEEL

**NOTE:** UNIT COMES COMPLETE WITH (4) WALL MOUNTING BRACKETS & (4) M5 x 12mm LG. TRUSS HD. SELF-TAPPING SCREWS (NOT SHOWN)  
 COVER INCLUDES GRAY POLYURETHANE GASKET.

**INDUSTRY STANDARDS:**  
UL LISTED INDOOR VERSION  
 UL508 TYPE 1, 2, 3, 3R, 4, 4X INDOOR, 12 & 13  
 NEMA TYPE 1, 2, 3, 3R, 4, 4X, 12 & 13  
 IEC529-IP65  
ABS VERSION  
 NEMA TYPE 1, 2, 3, 3R, 4, 4X, 12 & 13  
 IEC529-IP65



0.380 [10] DIA. BOSS  
 0.130 [3] DIA. HOLE  
 x 0.290 [7] DEEP  
 (4) PLCS, (FAR SIDE)  
 0.390 [10] DIA. BOSS WITH  
 M4 x 0.7mm THREADED BRASS  
 INSERT (2) PLCS



VIEW LESS COVER

AIR AND MOISTURE VENTS AND GALVANIZED STEEL INTERNAL PANEL ARE NOT INCLUDED, BUT CAN BE PURCHASED SEPARATELY.

DIMENSIONS = INCHES [MILLIMETERS]

NOTE: ALL DIMENSIONS HAVE ±0.039 [±1] TOLERANCE UNLESS OTHERWISE SPECIFIED

UL LISTED INDOOR VERSION			DIMENSIONS												
PART NO.															
SOLID COVER	CLEAR COVER	SOLID COVER	A	B	C	D	E	F	G	H	J	K	L	M	N
NBB-10222	NBB-10232	NBB-22222	3.925 [100]	3.215 [82]	2.598 [66]	7.875 [200]	7.110 [181]	6.536 [166]	5.905 [150]	1.975 [50]	0.815 [21]	7.265 [185]	7.225 [184]	3.335 [85]	3.360 [85]